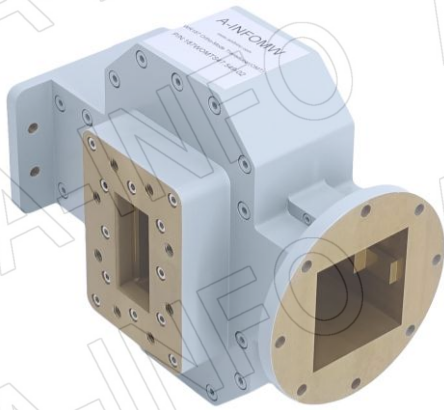


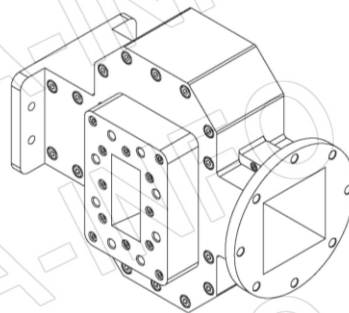
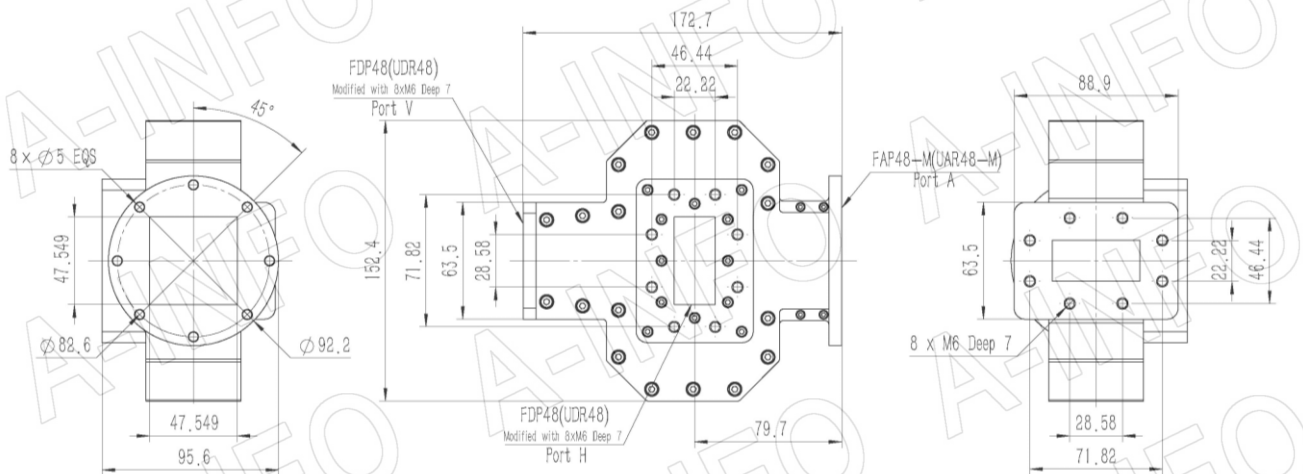
For reference only. See data sheet for the detailed specifications.

Technical Specification



EIA WR	WR187
Frequency Range(GHz)	3.95 – 5.85
Bandwidth	Full
Common Port	47.549mm Square WG
Insertion Loss(dB)	0.5 Max.
VSWR	1.30:1 Typ.
Cross Pol. Isolation(dB)	60 Typ.; 50 Min.
Port to Port Isolation(dB)	50 Min.
Common Port Flange	FAP48-M(UAR48-M)
Flange	FDP48(UDR48) (Modified with 8xM6 Deep7)
Material	Al
Size(mm)	172.7 x 95.6 x 152.4
Net Weight(Kg)	1.86 Around

Outline Drawing (Size: mm)



AINFO Inc.

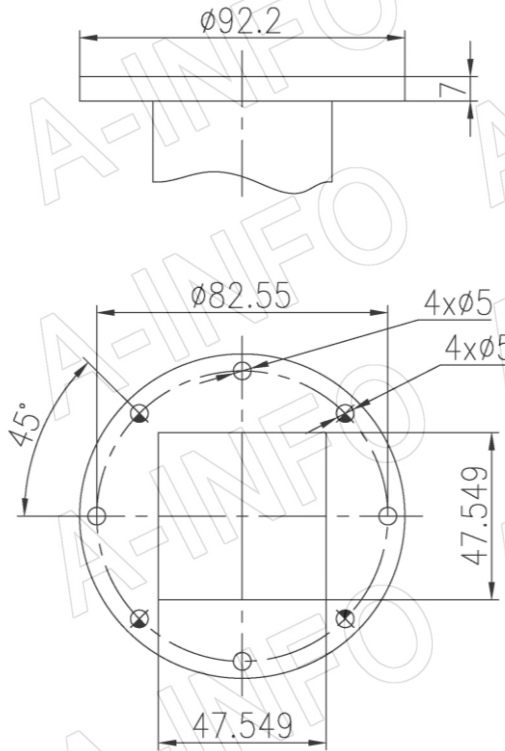
China(Beijing): Tel: (+86) 10-6266-7326,
China(Chengdu): Tel: (+86) 28-8519-2786,
USA: Tel: (+1) 949-639-9688,

Page 1 of 5

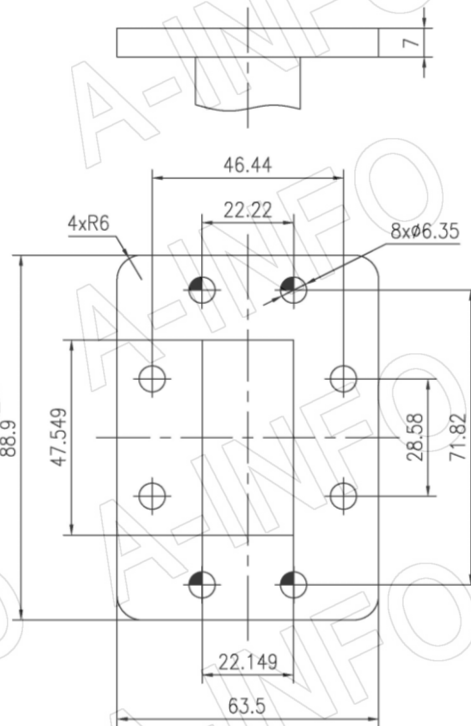
(+86) 10-6266-7327 Fax: (+86) 10-6266-7379
(+86) 28-8519-3044 Fax: (+86) 28-8519-3068
(+1) 949-639-9608 Fax: (+1) 949-639-9670

Website: www.ainfoinc.com
Email: sales@ainfoinc.com

Flange Drawing (Size: mm)



FAP48-M



FDP48

AINFO Inc.

China(Beijing): Tel: (+86) 10-6266-7326,
 China(Chengdu): Tel: (+86) 28-8519-2786,
 USA: Tel: (+1) 949-639-9688,

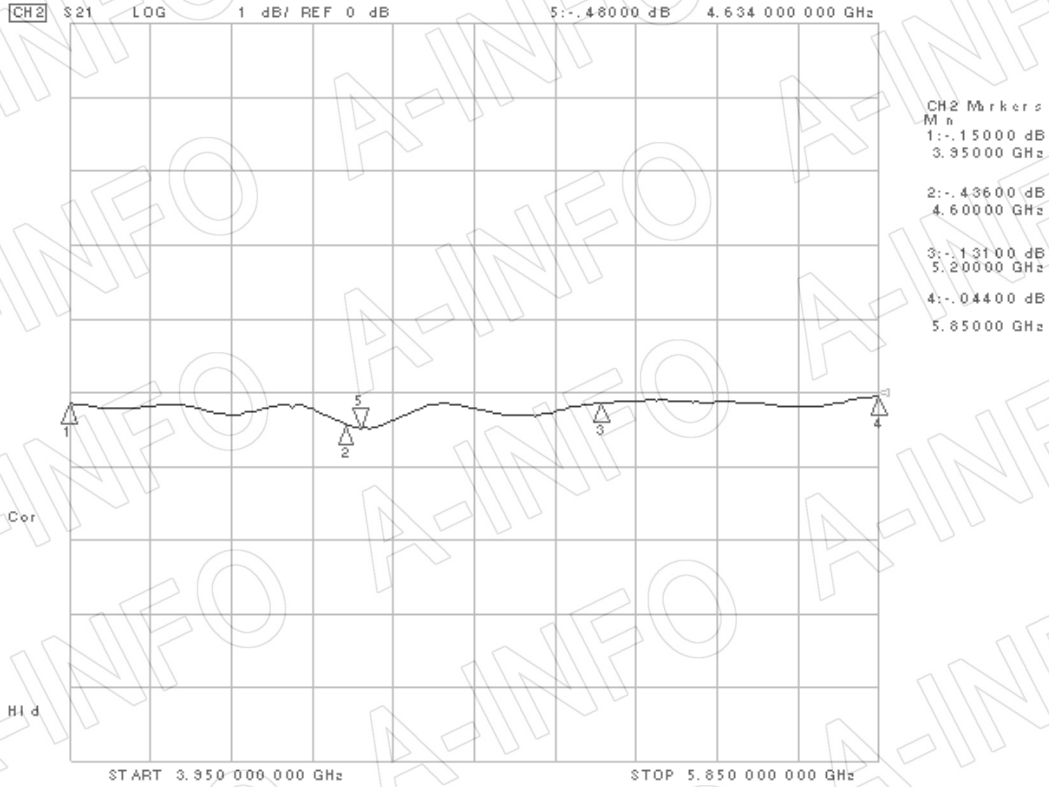
Page 2 of 5

(+86) 10-6266-7327 Fax: (+86) 10-6266-7379
 (+86) 28-8519-3044 Fax: (+86) 28-8519-3068
 (+1) 949-639-9608 Fax: (+1) 949-639-9670

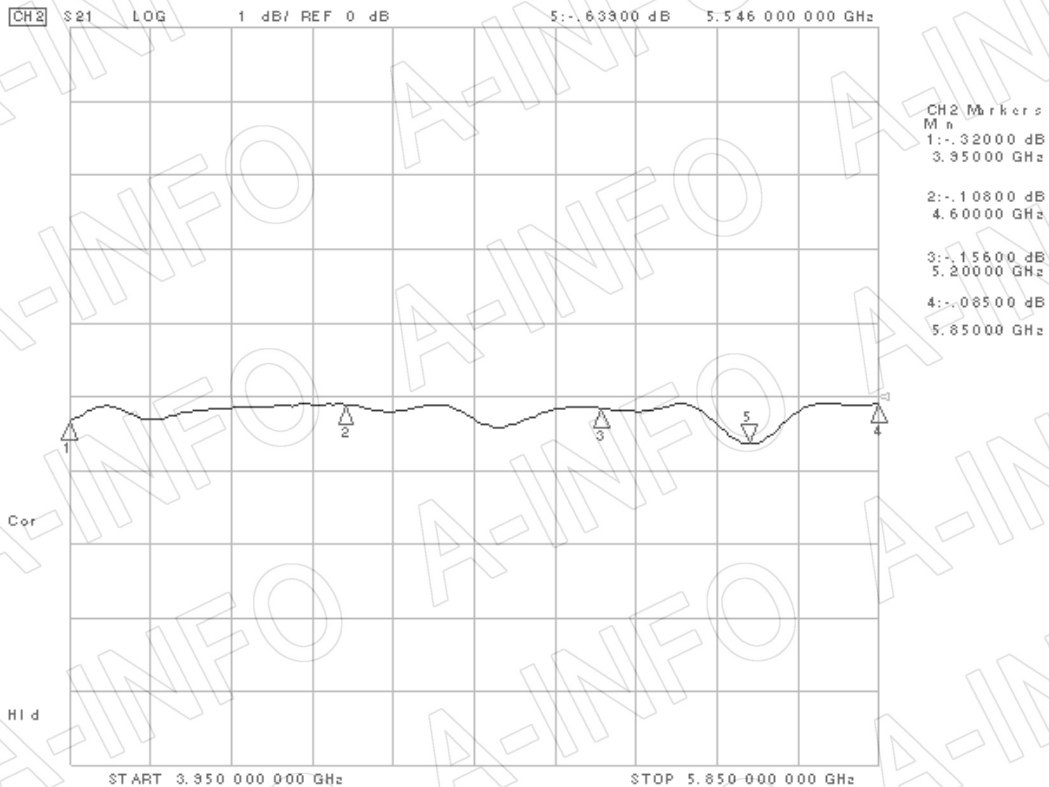
Website: www.ainfoinc.com
 Email: sales@ainfoinc.com

Test Results

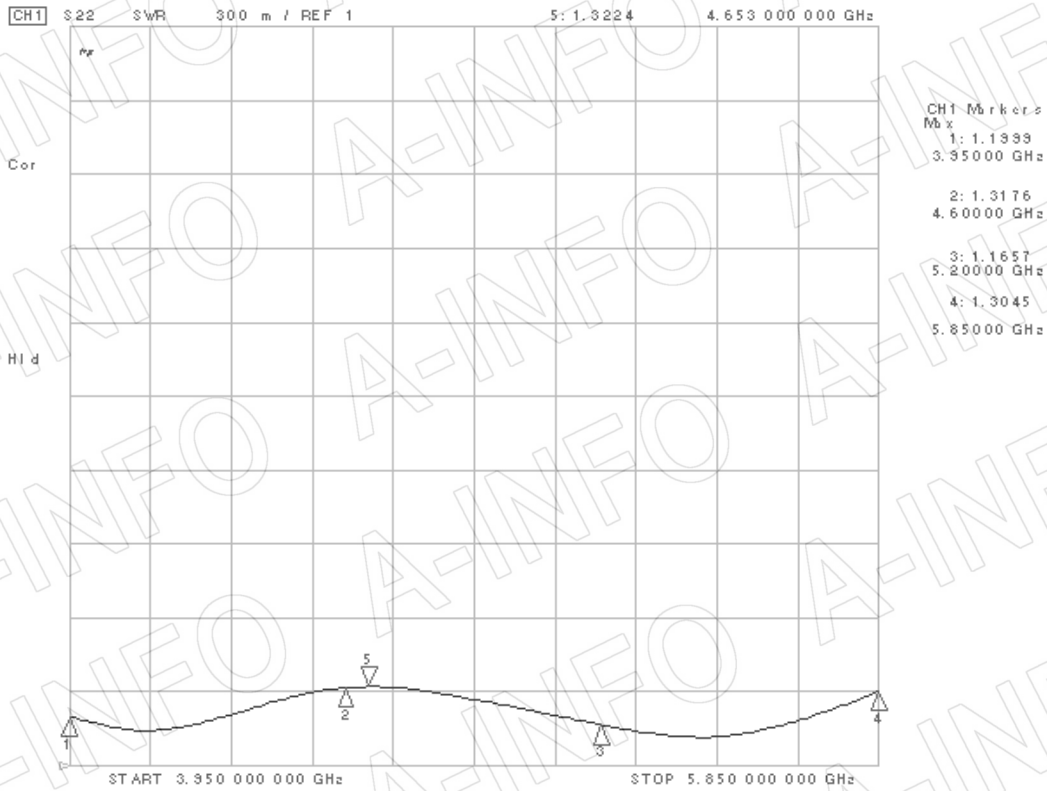
Port H_ Insertion Loss(Test with two OMT back to back)



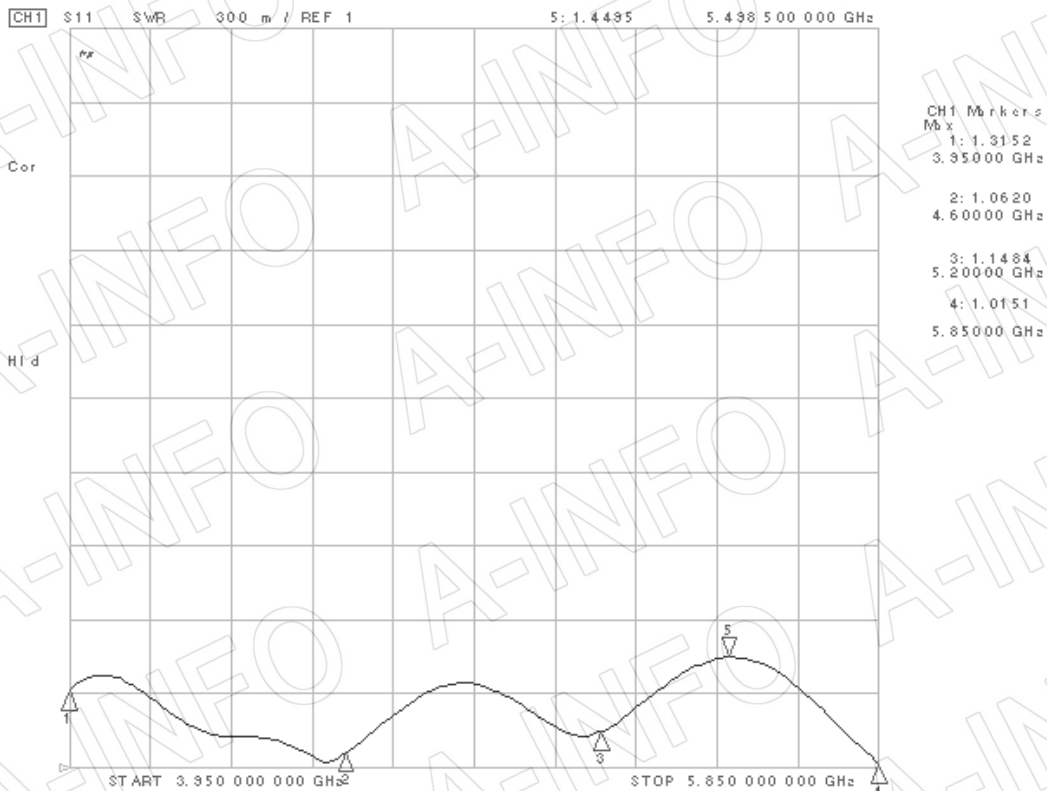
Port V_ Insertion Loss(Test with two OMT back to back)



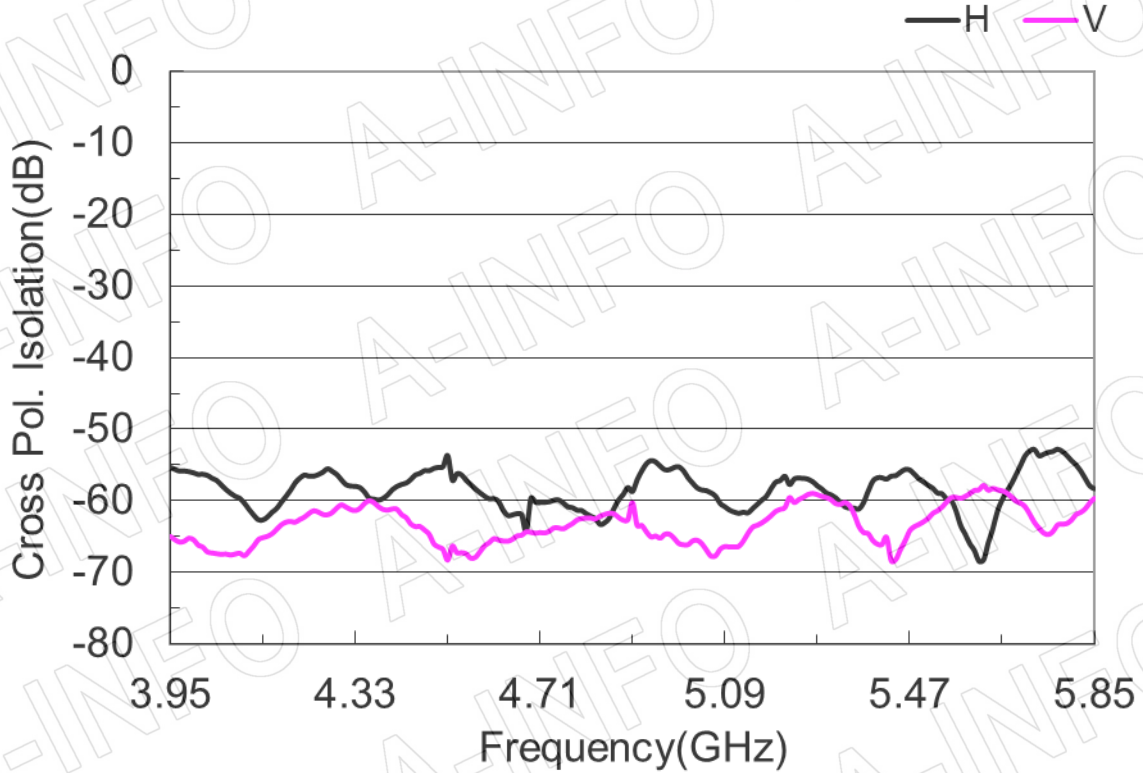
Port H_VSWR



Port V_VSWR



Cross Polarization Isolation



Port to Port Isolation

